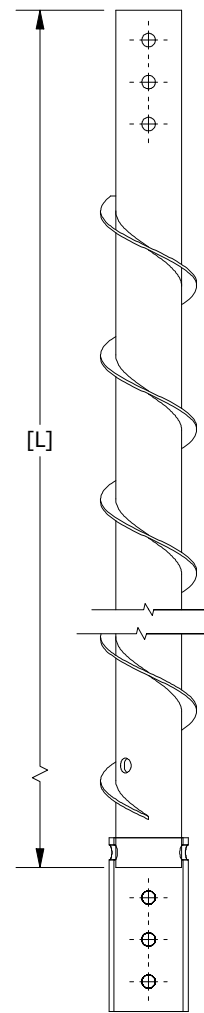
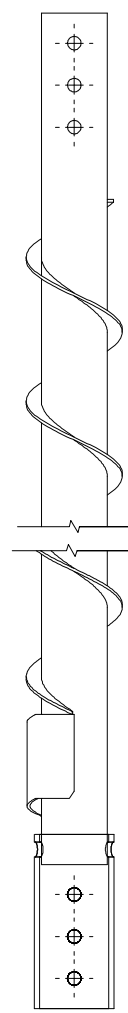


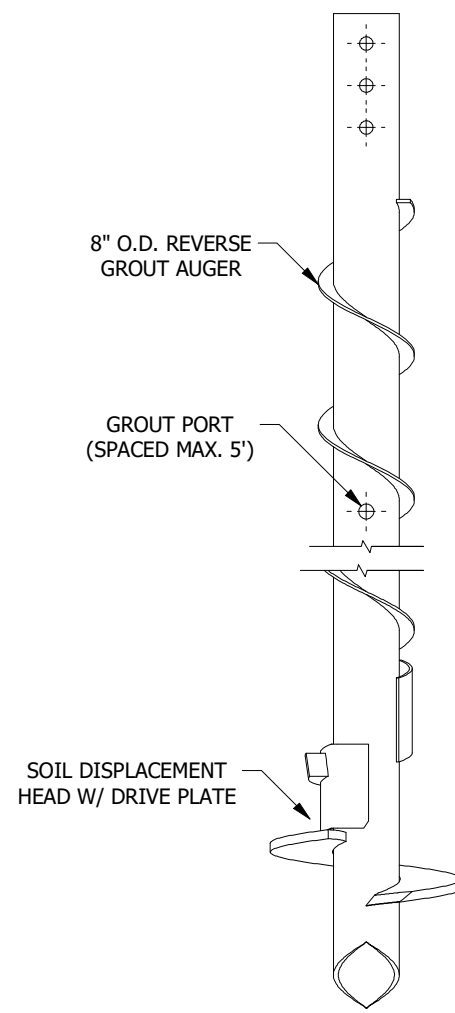
SC1400-550476-3 STELCOR LEADS AND EXTENSIONS



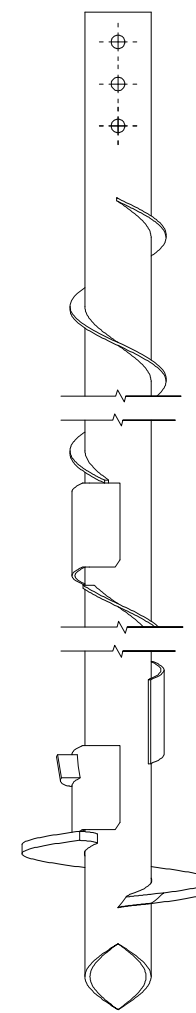
EXTENSION
(EX: SCEXT-550476[L]-8-3)



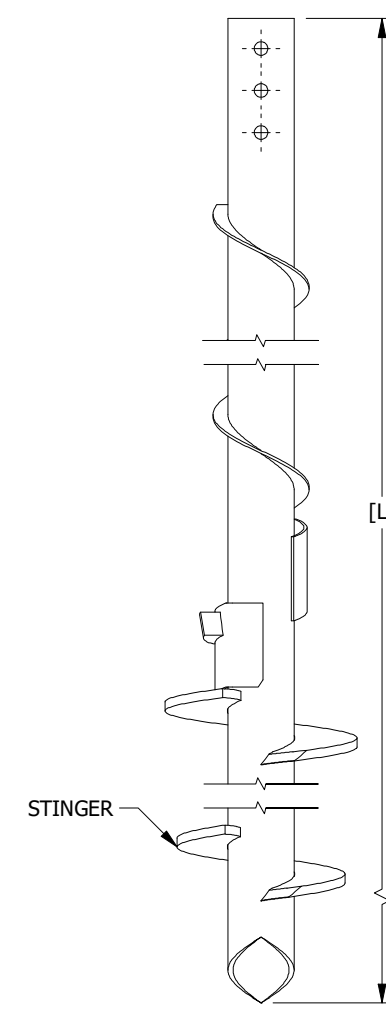
DISPLACEMENT EXTENSION
(EX: SC1400EXT-550476[L]-8-[Q]D3)



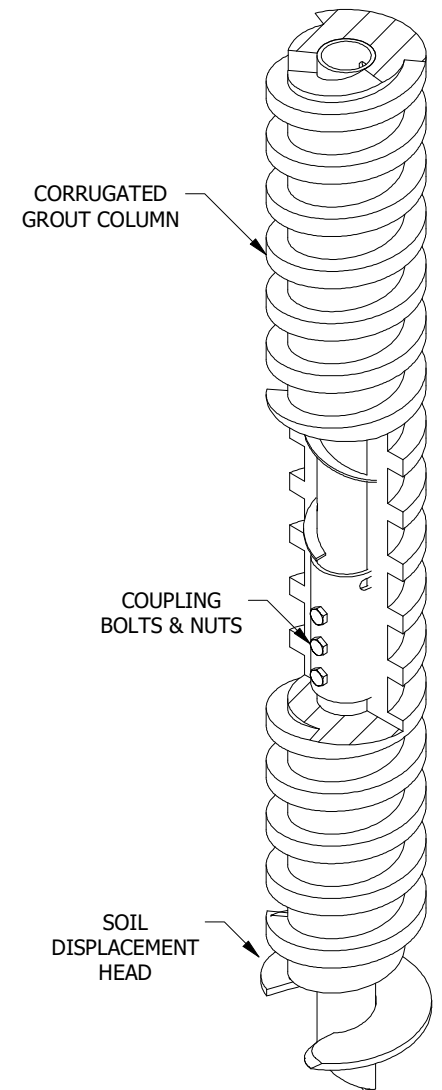
STANDARD LEAD
(EX: SC1400-550476[L]-161411-8-D3)



MULTIPLE DISPLACEMENT LEAD
(EX: SC1400-550476[L]-161411-8-[Q]D3)



STINGER LEAD
(EX: SC1400-550476[L]-161411-8-[Q]D3S14)



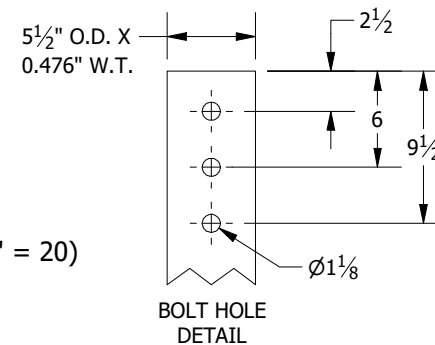
TYPICAL PILE ASSEMBLY ELEVATION VIEW

NOTES:

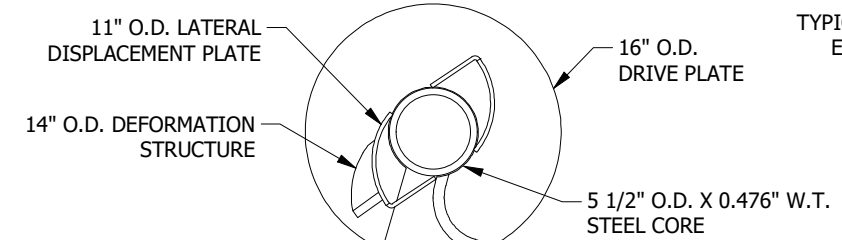
- DISPLACEMENT DRILLED, FULL LENGTH STEEL CORE WITH SOLID GROUT FILL AND UNCASSED OUTER GROUT COLUMN.
- GROUT COLUMN DEFORMATION SHALL HAVE A NOMINAL DIAMETER OF 14".
- STEEL CORE SHALL BE 5 1/2" O.D. X 0.476" W.T. 80 KSI MIN. YLD. AND SHALL HAVE DIRECT CONTACT (SHAFT-TO-SHAFT) AT EACH SPLICE.
- LATERAL DISPLACEMENT DRILL HEAD SHALL BE FABRICATED OF ASTM A572 GR. 50 PARTS. DRIVE PLATE & STINGER PLATE (IF REQUIRED) TO BE 3/4" THICK WITH A 6" PITCH.
- ALL WELDING TO BE PERFORMED BY SHOP QUALIFIED WELDORS TO AWS D1.1 STRUCTURAL WELDING CODE - STEEL.
- BARE STEEL.
- (3) 1" DIAMETER X 8 1/2" LONG PLAIN FINISH HEAVY HEX BOLT GRADE 8 AND (3) 1" PLAIN FINISH HEAVY HEX NUT ASTM A194 (GRADE 8).
- MAXIMUM TORQUE NOT TO EXCEED 60,000 FT*LBS.
- ONE OR MORE OF THE FOLLOWING PATENTS MAY APPLY: US 8,926,228 B2 & US 10,480,144 B2; OTHER PATENTS PENDING.

STELCOR PART # ABBREVIATIONS:

SC = STELCOR
 1400 = 14" NOMINAL GROUT DIAMETER
 EXT = EXTENSION
 550 = 5 1/2" O.D. STEEL CORE
 476 = .476" STEEL CORE WALL THICKNESS
 [L] = SHAFT LENGTH IN FEET (EXAMPLE: 20' = 20)
 16 = 16" O.D. DRIVE PLATE
 14 = 14" O.D. DEFORMATION STRUCTURE
 11 = 11" O.D. DISPLACEMENT PLATE
 8 = 8" O.D. REVERSE GROUT AUGER
 [Q] = DISPLACEMENT PLATE QUANTITY
 D = ADDITIONAL 11" O.D. DISPLACEMENT PLATE
 3 = BOLT QUANTITY
 S = STINGER PLATE
 14 = 14" O.D. STINGER PLATE DIAMETER



BOLT HOLE DETAIL



STANDARD SOIL DISPLACEMENT HEAD PLAN VIEW
*REVERSE AUGER AND GROUT COLUMN NOT SHOWN FOR CLARITY

DRAWN AP	4/13/2020
CHECKED LRS	4/15/2020
IDEAL MANUFACTURING, INC. 999 PICTURE PARKWAY WEBSTER, NY 14580 800-789-4810 WWW.IDL-GRP.COM	



PROPRIETARY AND CONFIDENTIAL
 THE INFORMATION CONTAINED IN THIS DRAWING IS THE SOLE PROPERTY OF IDEAL MANUFACTURING, INC. ANY REPRODUCTION IN PART OR AS A WHOLE WITHOUT WRITTEN PERMISSION OF IDEAL MANUFACTURING, INC. IS PROHIBITED.

NOT TO SCALE
ALL UNITS IN INCHES U.N.O.

SIZE B DWG NO

SC1400-550476-3

REV 0

SHEET 1 OF 1