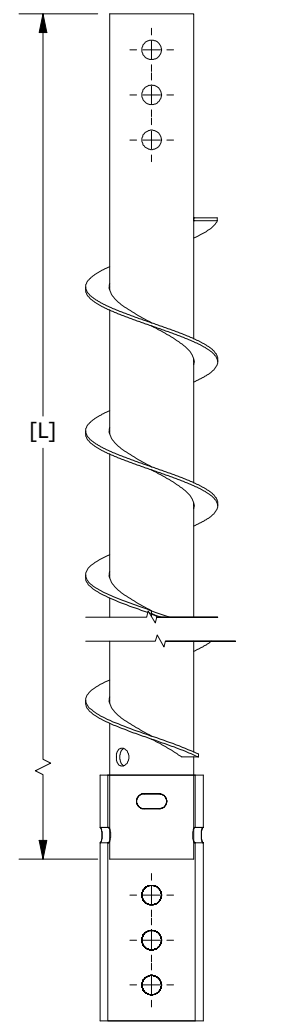
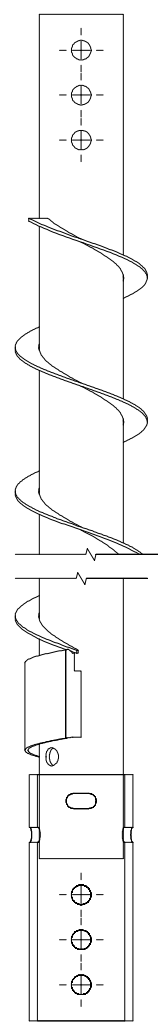


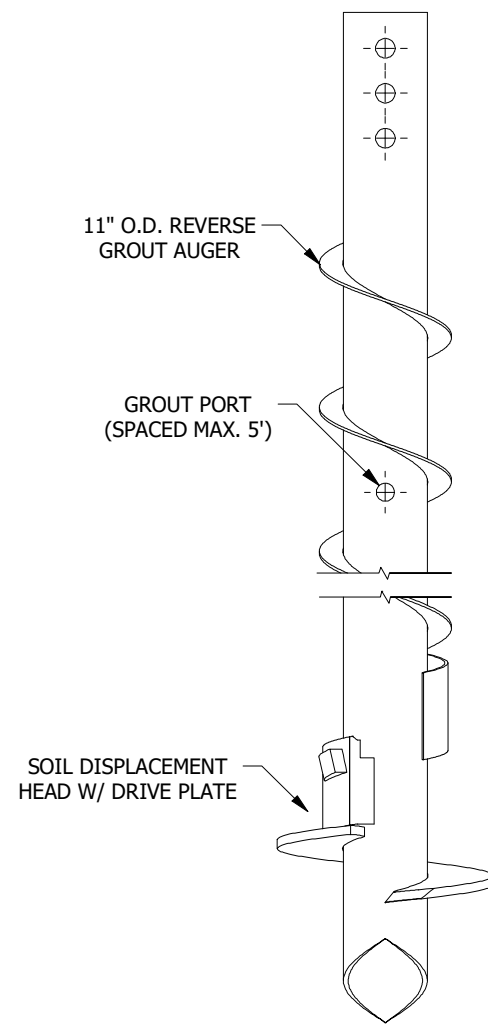
SC1600-700408-O STELCOR LEADS AND EXTENSIONS



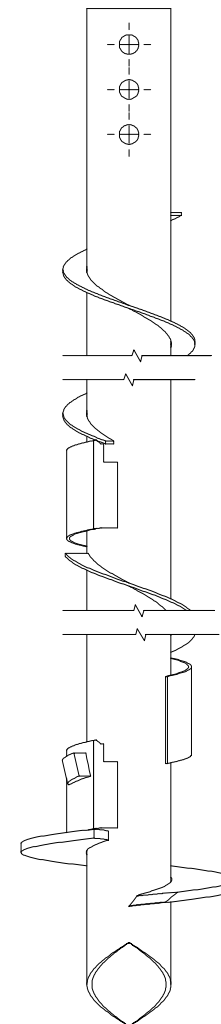
EXTENSION
(EX: SCEXT-700408[L]-11-O)



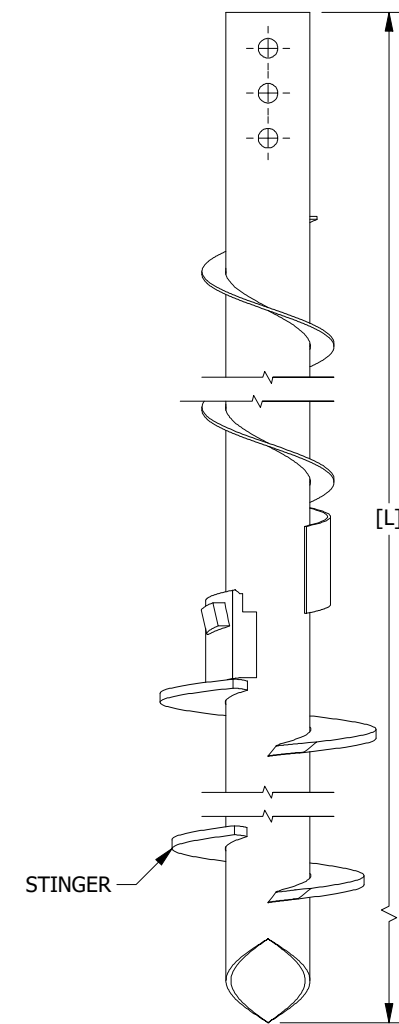
DISPLACEMENT EXTENSION
(EX: SC1600EXT-700408[L]-11-[Q]DO)



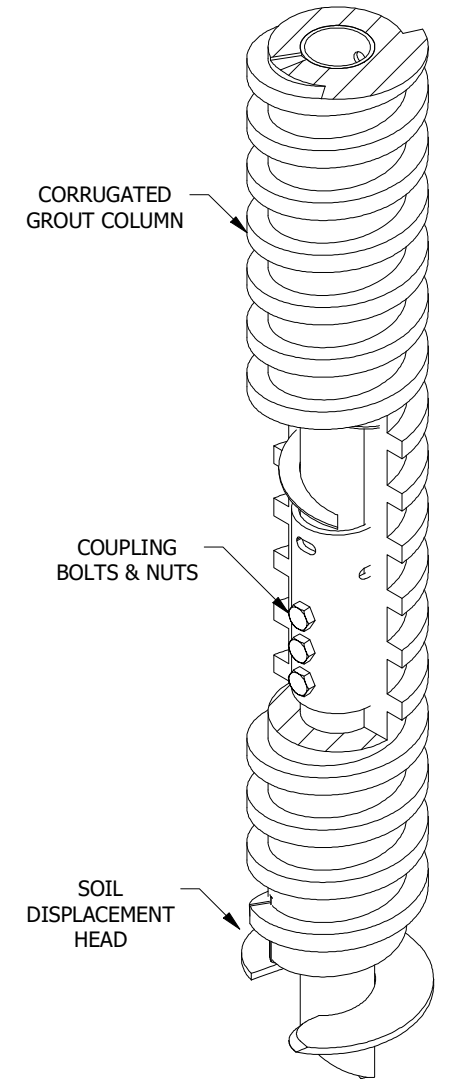
STANDARD LEAD
(EX: SC1600-700408[L]-181613-11-DO)



MULTIPLE DISPLACEMENT LEAD
(EX: SC1600-700408[L]-181613-11-[Q]DO)



STINGER LEAD
(EX: SC1600-700408[L]-181613-11-[Q]DOS16)



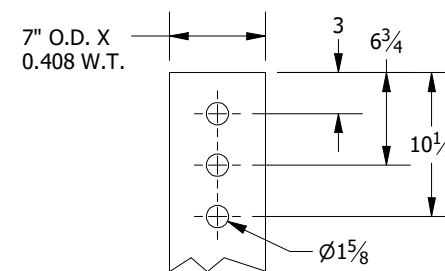
TYPICAL PILE ASSEMBLY ELEVATION VIEW

NOTES:

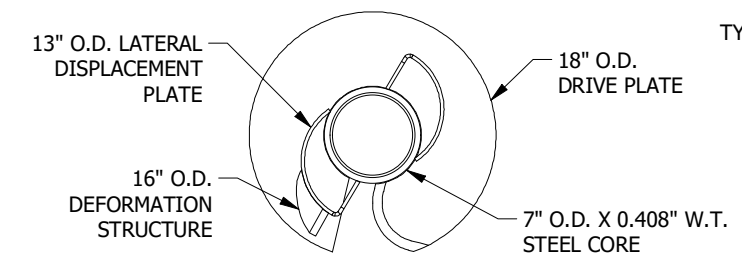
1. DISPLACEMENT DRILLED, FULL LENGTH STEEL CORE WITH SOLID GROUT FILL AND UNCASSED OUTER GROUT COLUMN.
2. GROUT COLUMN DEFORMATION SHALL HAVE A NOMINAL DIAMETER OF 16".
3. STEEL CORE SHALL BE 7" O.D. X 0.408" W.T. 80 KSI MIN. YLD. AND SHALL HAVE DIRECT CONTACT (SHAFT-TO-SHAFT) AT EACH SPLICE.
4. LATERAL DISPLACEMENT DRILL HEAD SHALL BE FABRICATED OF ASTM A572 GR. 50 PARTS. DRIVE PLATE & STINGER PLATE (IF REQUIRED) TO BE 3/4" THICK WITH A 6" PITCH.
5. ALL WELDING TO BE PERFORMED BY SHOP QUALIFIED WELDORS TO AWS D1.1 STRUCTURAL WELDING CODE - STEEL.
6. BARE STEEL.
7. (3) 1 1/2" DIAMETER X 10" LONG PLAIN FINISH HEAVY HEX BOLT GRADE 8 AND (3) 1 1/2" PLAIN FINISH HEAVY HEX NUT A194 (GRADE 8).
8. MAXIMUM TORQUE NOT TO EXCEED 120,000 FT*lbs.
9. ONE OR MORE OF THE FOLLOWING PATENTS MAY APPLY: US 8,926,228 B2 & US 10,480,144 B2; OTHER PATENTS PENDING.

STELCOR PART # ABBREVIATIONS:

- SC = STELCOR
- 1600 = 16" NOMINAL GROUT DIAMETER
- EXT = EXTENSION
- 700 = 7" O.D. STEEL CORE
- 408 = .408" STEEL CORE WALL THICKNESS
- [L] = SHAFT LENGTH IN FEET (EXAMPLE: 20' = 20)
- 18 = 18" O.D. DRIVE PLATE
- 16 = 16" O.D. DEFORMATION STRUCTURE
- 13 = 13" O.D. DISPLACEMENT PLATE
- 11 = 11" O.D. REVERSE GROUT AUGER
- [Q] = DISPLACEMENT PLATE QUANTITY
- D = ADDITIONAL 13" O.D. DISPLACEMENT PLATE
- O = OUTER COUPLER
- S = STINGER PLATE
- 16 = 16" O.D. STINGER PLATE DIAMETER



BOLT HOLE DETAIL



STANDARD SOIL DISPLACEMENT HEAD PLAN VIEW
*REVERSE AUGER AND GROUT COLUMN NOT SHOWN FOR CLARITY

DRAWN AP	4/14/2020
CHECKED LRS	4/15/2020
IDEAL MANUFACTURING, INC. 999 PICTURE PARKWAY WEBSTER, NY 14580 800-789-4810 WWW.IDL-GRP.COM	



PROPRIETARY AND CONFIDENTIAL
THE INFORMATION CONTAINED IN THIS DRAWING IS THE SOLE PROPERTY OF IDEAL MANUFACTURING, INC. ANY REPRODUCTION IN PART OR AS A WHOLE WITHOUT WRITTEN PERMISSION OF IDEAL MANUFACTURING, INC. IS PROHIBITED.

NOT TO SCALE
ALL UNITS IN INCHES U.N.O.

SIZE B DWG NO

SC1600-700408-O

REV 1

SHEET 1 OF 1