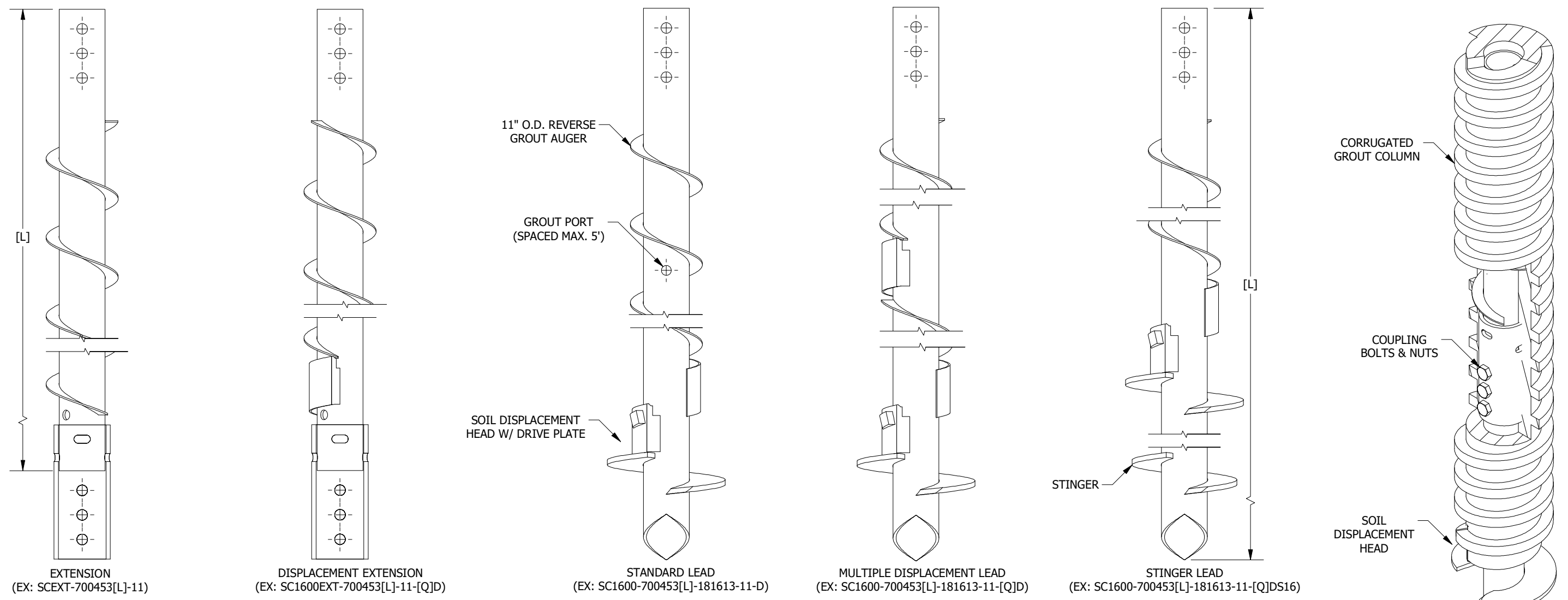


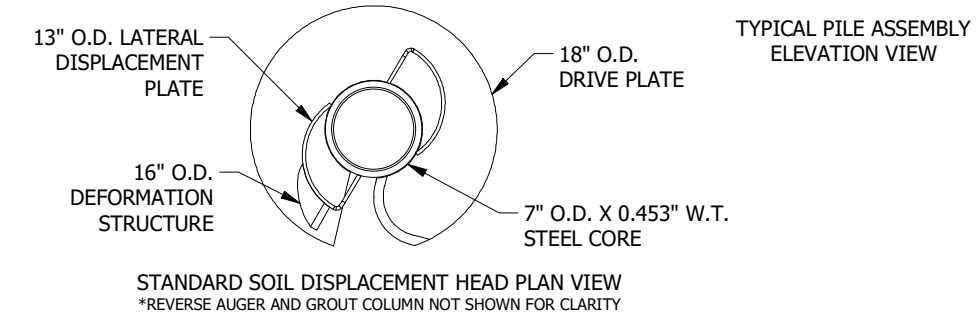
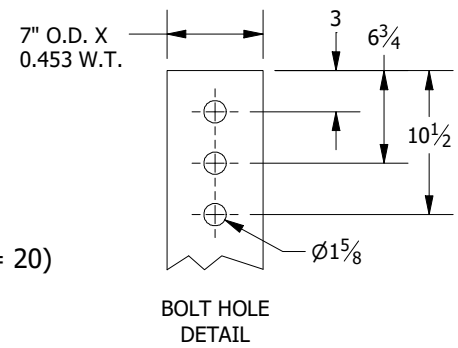
# SC1600-700453 STELCOR LEADS AND EXTENSIONS



- NOTES:**
- DISPLACEMENT DRILLED, FULL LENGTH STEEL CORE WITH SOLID GROUT FILL AND UNCASSED OUTER GROUT COLUMN.
  - GROUT COLUMN DEFORMATION SHALL HAVE A NOMINAL DIAMETER OF 16".
  - STEEL CORE SHALL BE 7" O.D. X 0.453" W.T. 80 KSI MIN. YLD. AND SHALL HAVE DIRECT CONTACT (SHAFT-TO-SHAFT) AT EACH SPLICE.
  - LATERAL DISPLACEMENT DRILL HEAD SHALL BE FABRICATED OF ASTM A572 GR. 50 PARTS. DRIVE PLATE & STINGER PLATE (IF REQUIRED) TO BE 3/4" THICK WITH A 6" PITCH.
  - ALL WELDING TO BE PERFORMED BY SHOP QUALIFIED WELDORS TO AWS D1.1 STRUCTURAL WELDING CODE - STEEL.
  - BARE STEEL.
  - (3) 1 1/2" DIAMETER X 10" LONG PLAIN FINISH HEAVY HEX BOLT GRADE 8 AND (3) 1 1/2" PLAIN FINISH HEAVY HEX NUT ASTM A194 (GRADE 8).
  - MAXIMUM TORQUE NOT TO EXCEED 130,000 FT\*LBS.
  - ONE OR MORE OF THE FOLLOWING PATENTS MAY APPLY: US 8,926,228 B2 & US 10,480,144 B2; OTHER PATENTS PENDING.

**STELCOR PART # ABBREVIATIONS:**

SC = STELCOR  
 1600 = 16" NOMINAL GROUT DIAMETER  
 EXT = EXTENSION  
 700 = 7" O.D. STEEL CORE  
 453 = .453" STEEL CORE WALL THICKNESS  
 [L] = SHAFT LENGTH IN FEET (EXAMPLE: 20' = 20)  
 18 = 18" O.D. DRIVE PLATE  
 16 = 16" O.D. DEFORMATION STRUCTURE  
 13 = 13" O.D. DISPLACEMENT PLATE  
 11 = 11" O.D. REVERSE GROUT AUGER  
 [Q] = DISPLACEMENT PLATE QUANTITY  
 D = ADDITIONAL 13" O.D. DISPLACEMENT PLATE  
 S = STINGER PLATE  
 16 = 16" O.D. STINGER PLATE DIAMETER



DRAWN AP	4/14/2020		PROPRIETARY AND CONFIDENTIAL THE INFORMATION CONTAINED IN THIS DRAWING IS THE SOLE PROPERTY OF IDEAL MANUFACTURING, INC. ANY REPRODUCTION IN PART OR AS A WHOLE WITHOUT WRITTEN PERMISSION OF IDEAL MANUFACTURING, INC. IS PROHIBITED.		
CHECKED LRS	4/15/2020				
IDEAL MANUFACTURING, INC. 999 PICTURE PARKWAY WEBSTER, NY 14580 800-789-4810   WWW.IDL-GRP.COM		SIZE B	DWG NO SC1600-700453	REV 1	SHEET 1 OF 1
NOT TO SCALE ALL UNITS IN INCHES U.N.O.					